

## PTPLUS Wire Marker holder



- Improved holder similar to PA profile with oval shaped pocket for marker label and tags.
- The marker pocket's resilient design protects and fastens marker tag.
- Fast and easy assembly of marker by applying pressure once on marker pocket.
- The flexible bellows design of the holder allows rapid and adaptable mounting on wires and cables.



### Specifications

#### Design

PTPLUS is a closed marker holder of improved bellows design with a pocket to hold marker tags of types PF-, PFC or PP-. The new bellow design with grooves decrease the friction up to 50% when pushing the sleeve on to the wire. The holder is transparent and is mounted directly on to the cable or wire before assembly. The marker tag can be affixed before or after assembly.

#### Material

Cadmium and silicon free soft PVC according to Partex formula.

#### Color

Clear transparent.

#### Temperature Range

Shape permanence from -30°C to + 60°C (-22°F to + 140°F)

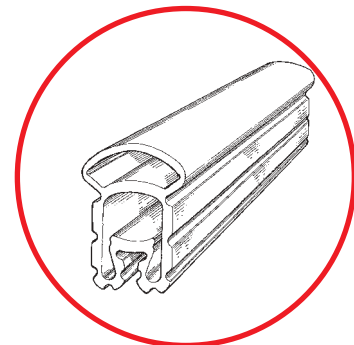
NB! Only the sleeve.

#### Resistance

The product is tested according to Partex Product Test Programme by the Swedish National Test and Research Institute and has the following test properties:

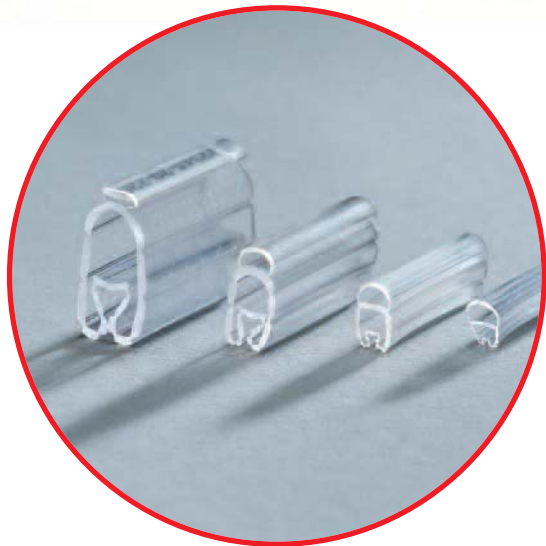
- Flammability resistance according to UL94-V0.
- Resistant to UV radiation, corresponding to 1 year outdoors in the south of Sweden.
- Resistance to chemicals meets Partex Product Test Programme (except for battery acid).
- Resistance to temperature and ageing meets norms of Partex Product Test Programme.

For application in hostile environments, please contact your Regional Sales Office for information.



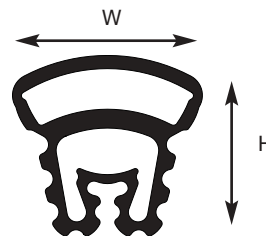


## Application



### Dimensions in mm (nominal)

Product Type	AWG	Length	Width	Height
PTPLUS02	22-16	12/15/18/21/30	5	5
PTPLUS10	16-11			7
PTPLUS20	13-5		6	10
PTPLUS30	5-		10	19



### Size and Packaging

Article Number	Diameter mm	Diameter in	Area MM <sup>2</sup>	AWG	Qty Pack	Suitable PF-Label	Suitable PFC-Tag	Suitable PP-Profile
PTPLUS02012A	~1.3-3.0	0.051-0.118	~0.25-0.118	22-16	200 PCS	-	PFC04212	PP-04600SN
PTPLUS10012A	~2.5-5.0	0.098-0.196	~1.5-4.0	16-11				
PTPLUS20012A	~4.0-10.0	0.157-0.393	~2.5-15.0	13-5				
PTPLUS30012A	~8.0-16.0	0.314-0.629	~16.0-70.0	5-	50 PCS			
PTPLUS02015A	~1.3-3.0	0.051-0.118	~0.25-1.5	22-16	200 PCS	PF-10015	PFC04215	
PTPLUS10015A	~2.5-5.0	0.098-0.196	~1.5-4.0	16-11				
PTPLUS20015A	~4.0-10.0	0.157-0.393	~2.5-16.0	13-5				
PTPLUS30015A	~8.0-16.0	0.314-0.629	~16.0-70.0	5-	50 PCS			
PTPLUS02018A	~1.3-3.0	0.51-0.118	~0.25-1.5	22-16	200 PCS	-	PFC04218	
PTPLUS10018A	~2.5-5.0	0.098-0.196	~1.5-4.0	16-11				
PTPLUS20018A	~4.0-10.0	0.157-0.393	~2.5-15.0	13-5				
PTPLUS30018A	~8.0-16.0	0.314-0.629	~16.0-70.0	5-	50 PCS			
PTPLUS02021A	~1.3-3.0	0.51-0.118	~0.25-1.5	22-16	200 PCS	PF-10021	PFC04221	
PTPLUS10021A	~2.5-5.0	0.098-0.196	~1.5-4.0	16-11				
PTPLUS20021A	~4.0-10.0	0.157-0.393	~2.5-16.0	13-5				
PTPLUS30021A	~8.0-16.0	0.314-0.629	~16.0-70.0	5-	50 PCS			
PTPLUS02030A	~1.3-3.0	0.051-0.118	~0.25-1.5	22-16	200 PCS	-	PFC04230	
PTPLUS10030A	~2.5-5.0	0.098-0.196	~1.5-4.0	16-11				
PTPLUS20030A	~4.0-10.0	0.157-0.393	~2.5-16.0	13-5				
PTPLUS30030A	~8.0-16.0	0.314-0.629	~16.0-70.0	5-	50 PCS			

Coming soon PTPLUS40 dia. range 14.0-22.0 mm  
Please consult your Regional Sales Office.

### System Solutions for Do-it-yourself Marking on Site

Print on	Recommended Printer	Partex Software
PF MARKING LABELS	Epson LQ870 matrix printer / HP laser printer	WSG-NG-EXCL
PFC MARKING CARDS	Thermal transfer printer X-Card MTX-MK3	
PP PROFILE	ProMark MTX-MK9-NG marking machine	

For further information see product information PF, PFC, PP-Profile, ProMark MTX-MK9-NG and WinSign.